

Sunbeam

X-PRESS™

Washable Electric Shaver with 3-Blade System

Instruction Booklet
SH3700



Contents

Sunbeam's Safety Precautions	1
Features of your Washable Shaver	2
Using your Washable Shaver	4
Care and Cleaning	5
Help Line	6
Battery Disposal	7
2 Year Replacement Guarantee	7

تأكد من تفهم احتياطات السلامة المذكورة اعلاه

請務必理解上述的安全預防措施。

Assurez-vous que les précautions ci-dessus relatives à la sécurité sont bien comprises

Versichern Sie sich daß die obenstehenden Sicherheitsmaßnahmen Verstanden werden

Βεβαιώνετε πως οι παραπάνω προφυλάξεις ασφαλείας γίνονται κατανοητές

Pastikan bahwa tindakan-tindakan keselamatan seperti di atas dimengerti anda

Accertatevi che le suddette norme di sicurezza siano comprese a dovere

上記の注意事項をよくお読みになり、安全を御確認ください

Уверете се дека погоре споменатите мерки на претпазливост се добро разбрани

Asegúrese de que las precauciones de seguridad precedentes sean bien comprendidas

کاری بکنید که احتیاط‌های بالا حتماً درک بشوند

ต้องแน่ใจว่า ข้อควรระวังเรื่องความปลอดภัยข้างต้น เป็นที่เข้าใจกันดี

Yukarda belirtilen güvenlik önlemlerinin anlaşıldığından emin olunuz

Xin kiểm chắc rằng những biện pháp làm an toàn kể trên được hiểu rõ

Sunbeam's Safety Precautions

SAFETY PRECAUTIONS FOR YOUR X-PRESS™ WASHABLE SHAVER

- Never touch the power plug with wet hands when unplugging it or plugging it in.
- Use only the cord supplied with this appliance.
- Always keep the shaver and power plug out of the reach of children.
- Do not expose the shaver to temperatures below -10 degrees or above +40 degrees for prolonged periods of time.
- Always remove the shaver from the adaptor before using in or near water.
- Do not use the shaver with a broken or

damaged foil or cutter blocks.

- If the appliance is used with an extension cord or electrical portable outlet device, they should be positioned so that they are not subject to splashing or moisture.
- Please see the section on Cleaning for instructions on how to keep your shaver clean.
- Empty or broken rechargeable batteries MUST NOT be disposed of as household waste. Please see the section on disposal for instructions.
- This shaver is water resistant for ease of cleaning. However, full immersion in water, when cleaning should be avoided.

Sunbeam are very safety conscious when designing and manufacturing consumer products, but it is essential that the product user also exercise care when using an electrical appliance. Listed below are precautions which are essential for the safe use of an electrical appliance:

- Read carefully and save all the instructions provided with an appliance.
- Always turn the power off at the power outlet before you insert or remove a plug. Remove by grasping the plug - do not pull on the cord.
- Turn the power off and remove the plug when the appliance is not in use and before cleaning.
- Do not use your appliance with an extension cord unless this cord has been checked and tested by a qualified technician or service person.
- Always use your appliance from a power outlet of the voltage (A.C. only) marked on the appliance.
- Close supervision is necessary when your appliance is being used near children or infirm persons.
- Never leave an appliance unattended while in use.
- Young children should be supervised to ensure that they do not play with the appliance.

- Do not use an appliance for any purpose other than its intended use.
- Do not place an appliance on or near a hot gas flame, electric element or on a heated oven. Do not place on top of any other appliance.
- Do not let the power cord of an appliance hang over the edge of a table or bench top or touch any hot surface.
- For safety reasons and to avoid maintenance by unskilled persons, some appliances are 'sealed' using tamperproof screws. Such appliances should always be returned to the nearest Sunbeam Appointed Service Centre for adjustment or repair if required.
- Do not operate any electrical appliance with a damaged cord or after the appliance has been dropped or damaged in any manner. If damage is suspected, return the appliance to the nearest Sunbeam Appointed Service Centre for examination, repair or adjustment.
- For additional protection, Sunbeam recommend the use of a residual current device (RCD) with a tripping current not exceeding 30mA in the electrical circuit supplying power to your appliances.
- Do not immerse the appliance in water or any other liquid unless recommended.

If you have any concerns regarding the performance and use of your appliance, please visit www.sunbeam.com.au or contact the Sunbeam Consumer Service Line.

Ensure the above safety precautions are understood.

Features of your Washable Shaver

Protective cap

Shaving foil

Shaver head

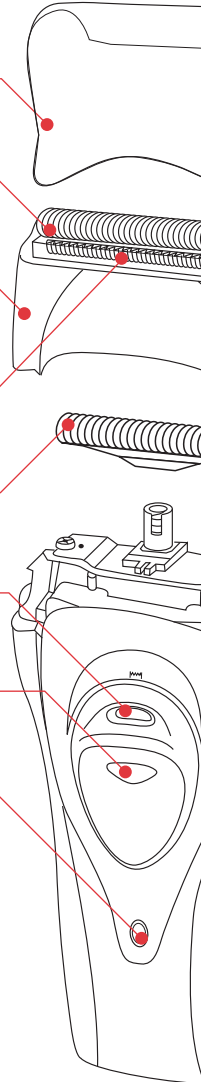
Integrated long hair trimmer

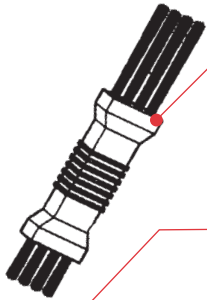
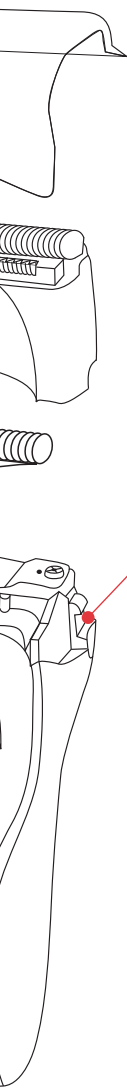
Cutter blocks

On/off switch

Travel lock

Charging indicator

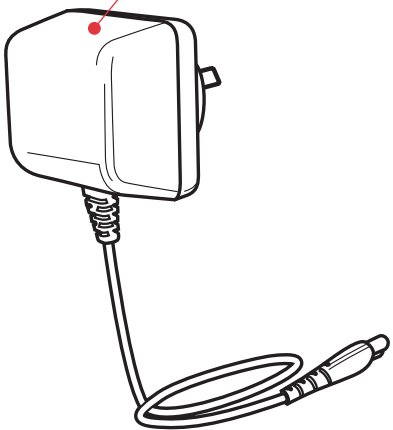




Cleaning brush



Shaver head release buttons



AC Adaptor

Using your Washable Shaver

Charging

- This shaver can be operated by connecting it to the mains or with the rechargeable batteries to provide cordless use.
- Your shaver has been charged to 60% capacity which should provide you with an initial fifteen minutes cordless shaving time.
- Discharge the batteries fully before charging again.
- To reach optimum recharge capacity, the batteries should be charged for 1 hour before the shaver is used again. The appliance is protected against over charging but continuous charging is to be avoided.
- A full charge will give you up to 25 minutes cordless shaving time.
- Use the shaver normally until the batteries are completely discharged before fully charging them again.
- To maintain optimum charge capacity, this charging and discharging procedure should be repeated several times per year.
- While the shaver is charging the LED will be illuminated.

Using your Shaver

- Ensure that the shaver is charged and the cord is removed. Alternatively, to use with the mains power, connect the cord to the shaver, insert the adapter to a power outlet and switch on.

- For best results use the shaver on clean, dry skin. However you can also use the shaver with shaving foam or gel if desired.
- Hold the shaver at a right angle to your skin. Apply light pressure only.
- Stretch your skin with your free hand so that the hairs stand upright.
- Shave against the direction of growth of hair to achieve the best results.
- After shaving put the protective cap back on the shaver head. Avoid pressure on the foil as this may cause damage.
- The long hair trimmer can be raised by pushing the switch fully up. This makes it ideal to trim longer hairs and sideburns.

Note: The shaver is water resistant and may be used in the shower. Ensure that the unit has been unplugged before using in the shower.

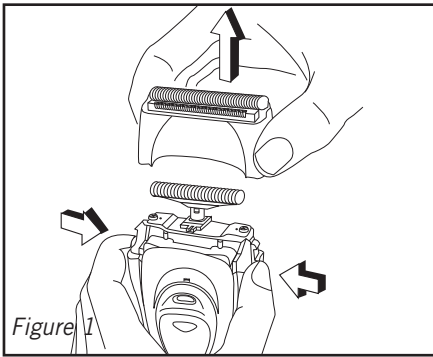
Note: Allow the shaver to completely discharge before charging the batteries again.

If you are using a foil shaver for the first time, it may take around three to four weeks for your skin to get used to this new method of shaving.

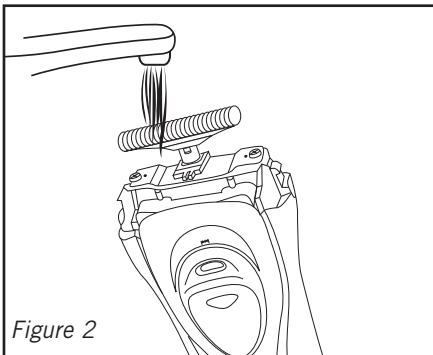
Care and Cleaning

Cleaning with water

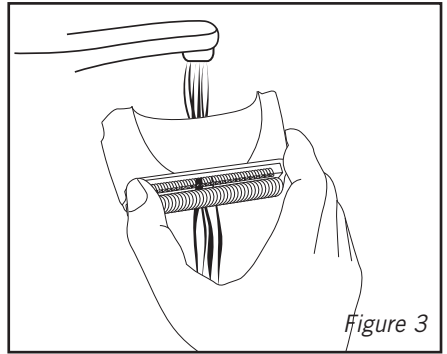
- Ensure that the unit is unplugged before cleaning.
- Press the two shaver head release buttons and pull the shaver from the casing Fig 1.



- Rinse the cutter blocks under running water Fig 2.



- Rinse the foil under running water Fig 3.



- To improve cleaning it is recommended to use a little liquid soap.
- After cleaning switch the shaver off
- To protect the shaving foil, always replace the protective cap.

Cleaning without water

- The shaver can also be cleaned without water.
- Press the two shaver head release buttons and pull the shaver from the casing
- Tap the shaver head on a flat surface or blow out the hairs thoroughly.
- Never use the brush for cleaning the foil as this may damage it. Clean the cutter blocks with the enclosed cleaning brush.

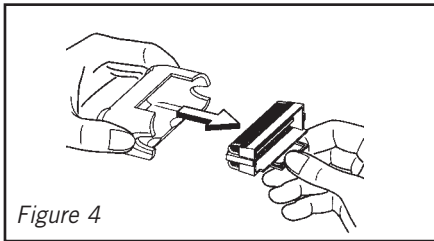
Care and Cleaning continued

Changing the foil and cutter blocks

- Shaving performance depends on the condition of the foil and the cutter blocks. Both wear gradually in use. Therefore it is recommended that the shaving foil be changed once a year and the cutter blocks changed every two years.

Replacing the shaving foil

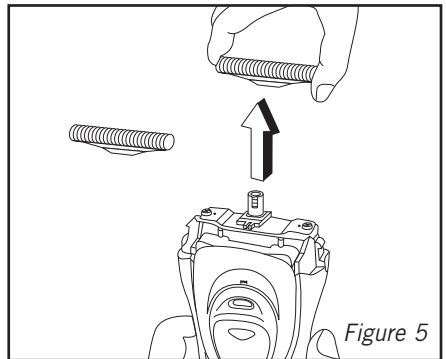
- Remove the shaver head by pressing the two release buttons.
- Pull the shaving foil out of the shaver head by holding it on the attached straps (fig. 4).



- Place the new shaving foil in the shaver head until it clicks in position.
- Replace the shaver head.

Replacing the cutter blocks

- Remove the shaver head
- Hold the cutter blocks on both sides and lift them from their supports (fig. 5).



- Place the new cutter blocks in position.
- Replace the shaver head.

Help Line

If you have any additional questions about using the Washable Shaver, please call the Sunbeam help line in Australia on 1800 025 059. In New Zealand, please call 0800 786 232.

Battery Disposal

- The battery must not be disposed of in ordinary household waste. At the end of the shaver's life, the shaver must be returned to a Sunbeam Service Centre for correct disposal of the rechargeable battery.
 - The battery must be removed from the appliance before it is scrapped.
 - The battery is to be disposed of safely.
-

2 Year Replacement Guarantee

We are so confident of the quality of our product, should this appliance develop any malfunction within 2 years of purchase due to faulty materials or manufacture, we will replace it for you absolutely free. **Foils and cutter blocks are excluded from this guarantee.**

Made in China.

'Sunbeam', is a registered trademark of Sunbeam Corporation.

Due to minor changes in design or otherwise, the product may differ from the one shown in this leaflet. Backed by Sunbeam's 2 Year Replacement Guarantee and National Service Network.

© Copyright. SUNBEAM CORPORATION LIMITED 2004.

(INCORPORATED IN N.S.W.) A.C.N. 000 006 771

Sunbeam Corporation is a division of GUD Holdings Ltd.

For more information or advice on this or any other Sunbeam appliance, visit www.sunbeam.com.au or contact the Sunbeam Consumer Service Line.

Australia 1800 025 059

New Zealand 0800 786 232.

The Sunbeam logo is written in a white, elegant cursive font on a red rectangular background.

Consumer Hotline

Australia

1800 025 059

New Zealand

0800 786 232

www.sunbeam.com.au

 is a registered Trademark of Sunbeam Corporation Limited. ACN 000 006 771.

© Sunbeam Corporation Limited 2004.